

TROFFER RETROFIT KIT

2x2 and 2x4 1 LAMP

MKTR

Application

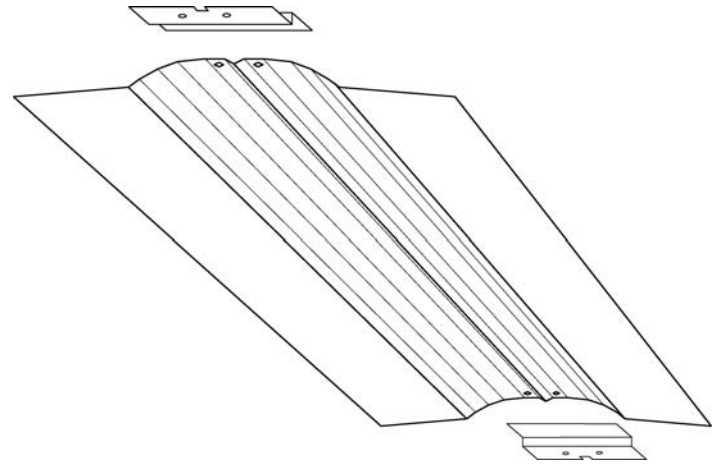
Retrofits 2x2 and 2x4 Recessed Troffers Lensed or Parabolic Fixtures

Construction

Kits: TRF Series reflector / ballast cover, socket brackets and TEK screws. Optional sockets, ballast and lamps.

Reflectors: Precision formed, high performance, 95% total reflectance specular reflector, warranted for 25 years or 91% total reflectance white pre-painted aluminum.

Construction: Brackets are manufactured from code gauge cold rolled steel and have white baked enamel finishes.



Electrical

UL listed wire rated for required temperature and voltage. Lamps are secured with twist-locking sockets.

Warranty

One year standard warranty on fixture. Ballast carries 3-5 year manufacture warranty.

Options

Reflector Material, Ballast and Lamps (See available options)

Features

- Total Luminaire Efficiency: 43.9%
- Spacing Criteria 0-Deg: 1.3 0-Deg: 1.52
- Available in both T8 and T5
- Optional Factory supplied lamps are available in various CRI ratings, temperature colors and rated life Ballast and wiring access
- Ballast and wiring access without the use of tools.
- Instant Restrike
- Dimming/Occupancy sensor compatible

Ordering Information

Use the Flow chart below to configure the part number. Actual part number may vary due to configuration.

MKTR	Type TR Troffer Retrofit Kit
	Fixture Size 22 - 2' x 2' 42 - 4' x 2'
	Number of Lamps Req'd 12 - 1-2' 14 - 1-4'
	Ballast T8H - T8 "L" (120-277v) T8N - T8 "N" (120-277v) T5H - T5 "H" (120-277v)
	Reflector Material W - White pre painted aluminum 91% TR U - Ultimate aluminum 95% TR
	Options See Options Sheet <input type="checkbox"/> Ballast <input type="checkbox"/> Lamps

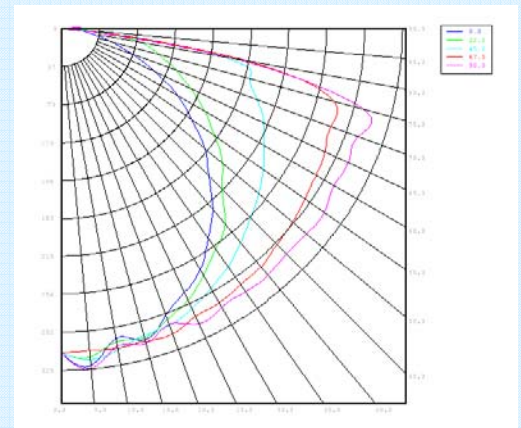
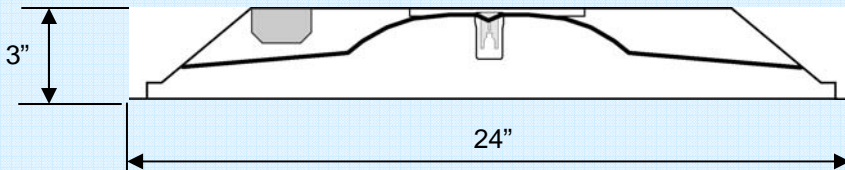
Photometrics

Coefficient of Utilization

1 FO32 Fixture Report Number

RC	80				70				50			30			10			0
RW	70	50	30	10	70	50	30	10	50	30	10	50	30	10	50	30	10	0
0	51	51	51	51	50	50	50	50	48	48	48	46	46	46	44	44	44	43
1	46	43	41	39	45	42	40	39	41	39	37	39	37	36	37	36	35	34
2	41	37	33	30	40	36	33	30	34	32	29	33	31	29	31	30	28	27
3	37	31	27	24	36	31	27	24	29	26	23	28	25	23	27	25	23	22
4	33	27	23	20	32	27	23	20	26	22	19	25	22	19	24	21	19	18
5	30	24	20	17	29	24	20	17	23	19	16	22	19	16	21	18	16	15
6	28	22	17	14	27	21	17	14	20	17	14	19	16	14	19	16	14	13
7	26	19	15	12	25	19	15	12	18	15	12	18	14	12	17	14	12	11
8	24	18	14	11	23	17	13	11	17	13	11	16	13	11	15	13	11	10
9	22	16	12	10	22	16	12	10	15	12	9	15	12	9	14	11	9	9
10	21	15	11	9	20	14	11	9	14	11	9	14	11	8	13	10	8	8

Specifications



ZONAL LUMEN SUMMARY			
ZONE	LUMENS	%LAMP	%FIXT
0-30	254	8.8	20
0-60	838	28.9	65.9
0-90	1272	43.9	100
90-180	0	0	0
0-180	1272	43.9	100

Total Fixture Efficiency: 43.9%

Harris Lighting
Innovative Efficient Solutions