

FIXTURE HANGING SYSTEM

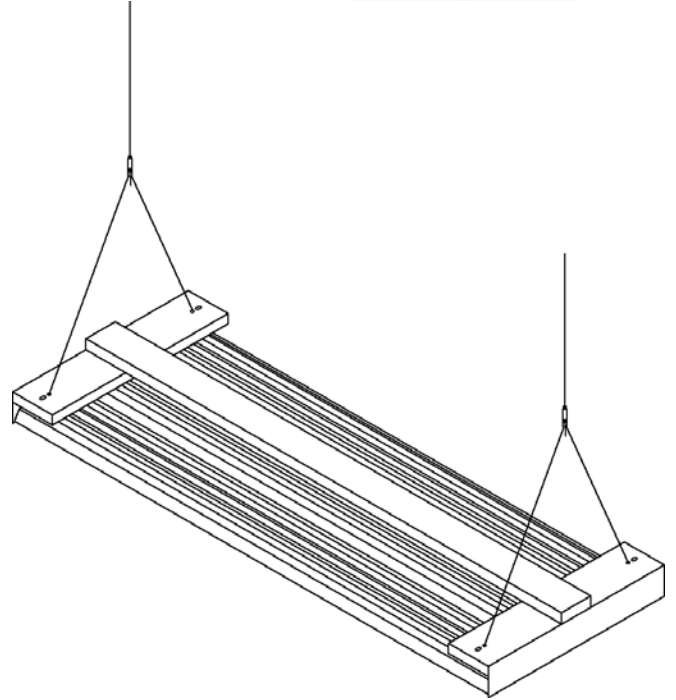
HW-FC003

Application

Hanging system for all MFHBI, MFHBE, MFHBT, MFAL and MFSR Fixtures.

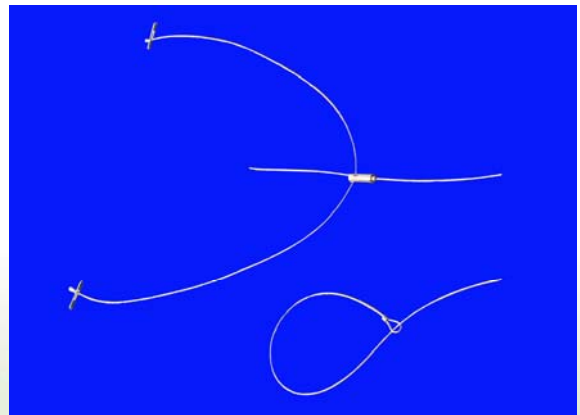
Construction

Kits Contain: 2 pieces of 15' overall length assembly with 15" V with Toggle ends, Cable Adjuster, and Loop ends.



Features

- Easy no tools height fixture height adjustment
- 2 "V" configuration for easy balancing
- Toggle ends for easy fixture mounting
- Loop ends for easy installation



Ordering Information

Use the Flow chart below to configure the part number. Actual part number may vary due to configuration.

HW-FC

Type: 003

15' Y with Toggle ends, Cable Adjuster, and Loop ends