

TROFFER RETROFIT KIT

4x2 2 AND 3 LAMP

MKTX42

Application

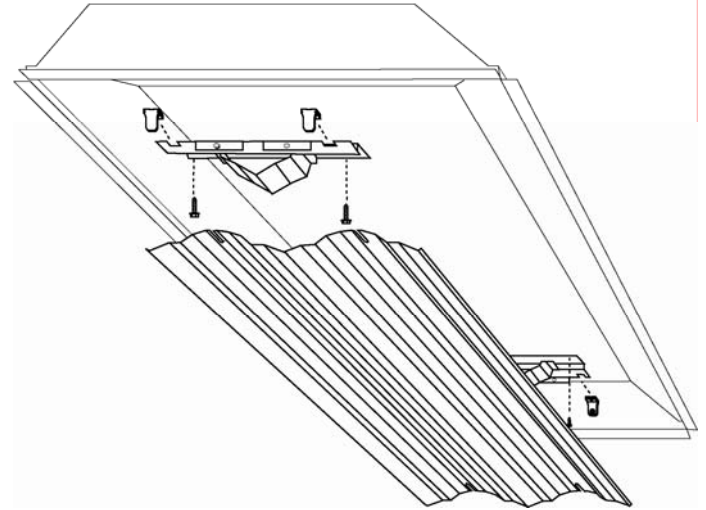
Retrofits 4x2 Recessed Troffers Lensed or Parabolic Fixtures

Construction

Kits: TRS Series reflector / ballast cover, socket brackets, sockets, end caps and TEK screws. Optional ballast and lamps.

Reflectors: Precision formed, high performance, 95% total reflectance specular reflector, warranted for 25 years or 91% total reflectance white pre-painted aluminum.

Construction: Brackets are manufactured from code gauge cold rolled steel and have white baked enamel finishes. Standard 2 lamp Recessed troffer brackets have 9 3/4" lamp spacing. 2 lamp Parabolic troffer brackets have 8 1/8" lamp spacing to move the lamp inward to miss being located directly above the louver blade.



Electrical

UL listed wire rated for required temperature and voltage. Lamps are secured with twist-locking sockets.

Warranty

One year standard warranty on fixture. Ballast carries 3-5 year manufacture warranty.

Options

Ballast, Lamps and Lens (See available options)

Features

- Total Luminaire Efficiency: 76.5%
- Spacing Criteria 0-Deg: 1.2, 90-Deg:1.3
- Available in both T8 and T5
- Optional Factory supplied lamps are available in various CRI ratings, temperature colors and rated life Ballast and wiring access
- Ballast and wiring access without the use of tools.
- Instant Restrike
- Dimming/Occupancy sensor compatible

Ordering Information

Use the Flow chart below to configure the part number. Actual part number may vary due to configuration.

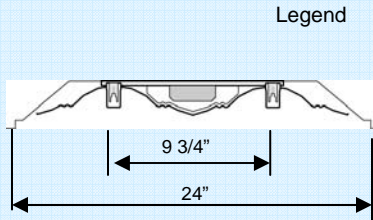
MKT	Type T	P - Troffer Parabolic Retrofit Kit
	R - Troffer Retrofit Kit	
	Number of Lamps Req'd	
	24 - 2-4'	34 - 3-4'
	Ballast	
	T8H - T8 "L" (120-277v) T8N - T8 "N" (120-277v) T5H - T5 "H" (120-277v)	
	* 347 and 480v see options	
	Reflector Material	
	W - White pre painted aluminum 91% TR U - Ultimate aluminum 95% TR	
	Sensor	
	<input type="checkbox"/> - All Lamps <input type="checkbox"/> - Portion of Lamps	
	Options See Options Sheet	
	<input type="checkbox"/> Ballast, <input type="checkbox"/> Lamps	

Photometrics

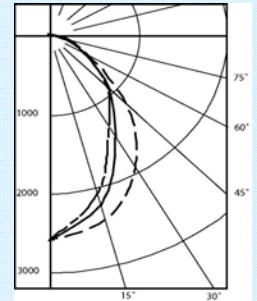
Coefficient of Utilization 2 FO32 Ult Fixture Report

RC	80				70				50			30			10			0
RW	70	50	30	10	70	50	30	10	50	30	10	50	30	10	50	30	10	0
0	91	91	91	91	89	89	89	89	85	85	85	81	81	81	78	78	78	76
1	84	81	78	76	82	80	77	75	76	74	72	73	72	70	71	69	68	66
2	78	72	68	64	76	71	67	63	68	65	62	66	63	61	64	61	59	58
3	72	65	59	55	70	64	59	55	62	57	54	60	56	53	58	55	52	50
4	66	58	52	48	65	57	52	47	55	50	47	54	49	46	52	48	45	44
5	61	52	46	41	59	51	45	41	50	44	40	48	44	40	47	43	40	38
6	56	47	40	36	55	46	40	36	45	39	35	44	39	35	42	38	35	33
7	52	42	36	31	51	42	36	31	40	35	31	39	34	31	38	34	31	29
8	48	38	32	27	47	37	31	27	36	31	27	35	31	27	35	30	27	25
9	44	34	28	24	43	34	28	24	33	27	24	32	27	23	31	27	23	22
10	41	31	25	21	40	31	25	21	30	24	21	29	24	21	28	24	21	19

ZONAL LUMEN SUMMARY			
ZONE	LUMENS	%LAMP	%FIXT
0- 30	1495	24.1	31.5
0- 60	4048	65.3	85.4
0- 90	4740	76.5	100.0
90-180	0	0.0	0.0
0-180	4740	76.5	100.0



Legend
 0-deg: ———
 45-deg: - - - -
 90-deg: - - - -

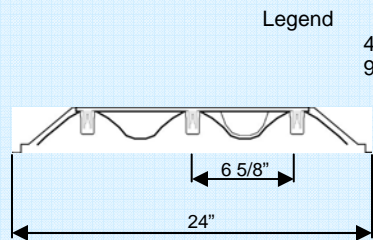


Total Fixture Efficiency: 76.5%

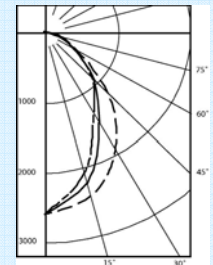
Coefficient of Utilization 3 FO32 Ult Fixture Report

RC	80				70				50			30			10			0
RW	70	50	30	10	70	50	30	10	50	30	10	50	30	10	50	30	10	0
0	82	82	82	82	80	80	80	80	77	77	77	74	74	74	71	71	71	69
1	76	73	71	68	74	72	69	67	69	67	65	66	65	63	64	63	61	60
2	70	65	61	58	69	64	60	57	62	59	56	60	57	55	58	55	53	52
3	65	59	54	50	63	58	53	49	56	52	49	54	50	48	52	49	47	46
4	60	53	48	43	59	52	47	43	50	46	43	49	45	42	47	44	42	40
5	56	48	43	38	55	47	42	38	46	41	38	45	41	37	43	40	37	36
6	52	44	38	34	51	43	38	34	42	37	34	41	37	34	40	36	33	32
7	49	40	35	31	48	40	34	31	39	34	31	38	34	30	37	33	30	29
8	46	37	32	28	45	37	32	28	36	31	28	35	31	28	34	30	27	26
9	43	34	29	26	42	34	29	26	33	29	25	32	28	25	32	28	25	24
10	40	32	27	23	40	32	27	23	31	26	23	30	26	23	30	26	23	22

ZONAL LUMEN SUMMARY			
ZONE	LUMENS	%LAMP	%FIXT
0- 30	1396	24.1	33.2
0- 60	3598	62.0	85.7
0- 90	4200	72.4	100.0
90-180	0	0.0	0.0
0-180	4200	72.4	100



Legend
 0-deg: ———
 45-deg: - - - -
 90-deg: - - - -



Total Fixture Efficiency: 72.4%

Harris Lighting™
 Innovative Efficient Solutions