

# SUPER STRIP LOUVERED FIXTURE

## MFSSL

### Application

Ideal replacement for T12 Strips and Low Bay areas

### Construction

**Reflectors:** Precision formed, high performance, 95% total reflectance specular reflector, warranted for 25 years or 91% total reflectance white prepainted aluminum. Standard up-light slots reduce cave effect.

**Bladed Louvers:** Spaced at 4" intervals made from 91% total reflectance White Pre-painted Aluminum.

**Body:** Channel, ends and brackets are manufactured from code gauge cold rolled steel and have white baked enamel finishes.

**Ballast:** Standard ballast are high performance electronic, Class P, non PCB, sound rated A, UL certified.

**Mounting:** Fixture may be surface mounted, chain, or hung with aircraft grade steel cable.

### Electrical

UL listed wire rated for required temperature and voltage. Lamps are secured with twist-locking sockets.

### Warranty

One year standard warranty on fixture. Ballast carries 3-5 year manufacture warranty.

### Options

Lamps, Aircraft Wire Hanger, Sensors, Cord and Plug, Up-Light, 347v and 480v. (See available options)

### Features

- 24 blade lightweight design
- Total Luminaire Efficiency: 92.8%
- Spacing Criteria 0-Deg: 1.3, 90-Deg: 1.2
- Available in both T8 and T5
- Factory supplied lamps are available in various CRI ratings, temperature colors and rated life
- Ballast and wiring access without the use of tools
- Instant Restrike
- Dimming/Occupancy sensor compatible

### Ordering Information

Use the Flow chart below to configure the part number. Actual part number may vary due to configuration.

<b>MFSSL</b>	<b>Type SSL</b> Super Strip Louvered Fixture
	<b>Number of Lamps Req'd</b> 24: 2-4' (4' fixtures) 44: 4-4' (8' fixtures)
	<b>Ballast</b> T8H - T8 "H" (120-277v) T8N - T8 "N" (120-277v) T5H - T5 "H" (120-277v) * 347 and 480v see options
	<b>Reflector Material (Uplight only)</b> W - White pre-painted aluminum 91% TR U - Ultimate aluminum 95% TR
	<b>Sensor</b> <input type="checkbox"/> - All Lamps <input type="checkbox"/> - Portion of Lamps
	<b>Options See Options Sheet</b> <input type="checkbox"/> - Wireguard <input type="checkbox"/> - Lamps <input type="checkbox"/> - Cord <input type="checkbox"/> - Plug <input type="checkbox"/> - Hanging Method <input type="checkbox"/> - Tube Guards <input type="checkbox"/> - Non-uplight <input type="checkbox"/> - 347/480v Package

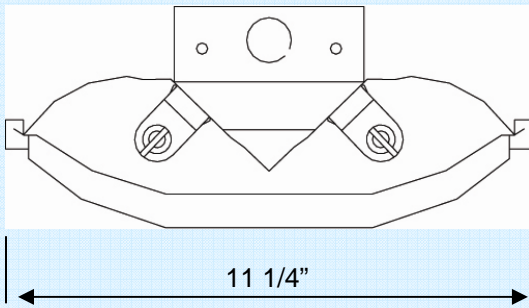
## Photometrics

### Coefficient of Utilization

#### 2 FO32 Fixture Report LTL

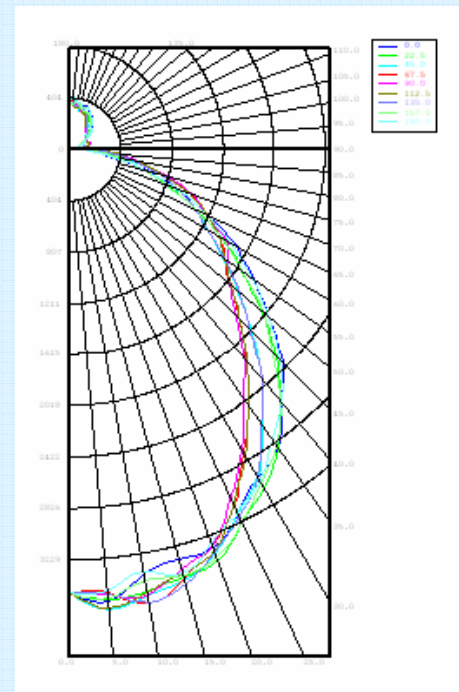
RC	80				70				50			30			10			0
RW	70	50	30	10	70	50	30	10	50	30	10	50	30	10	50	30	10	0
0	108	108	108	108	104	104	104	104	97	97	97	91	91	91	85	85	85	83
1	98	93	89	86	94	90	87	83	85	82	79	79	77	75	74	73	71	68
2	89	81	75	70	86	79	73	68	74	69	65	69	65	62	65	62	59	57
3	81	71	64	58	78	69	62	57	65	59	54	61	56	52	58	54	50	48
4	74	63	55	49	71	61	54	48	58	52	46	55	49	45	52	47	43	41
5	68	57	48	42	66	55	47	42	52	45	40	49	43	39	46	42	38	35
6	63	51	43	37	61	50	42	36	47	40	35	44	39	34	42	37	33	31
7	59	46	38	33	56	45	37	32	43	36	31	41	35	30	39	33	30	28
8	54	42	34	29	53	41	34	29	39	33	28	37	31	27	35	30	27	25
9	51	39	31	26	49	38	31	26	36	30	25	34	29	25	33	28	24	22
10	48	36	28	24	46	35	28	23	33	27	23	32	26	22	30	25	22	20

## Specifications



ZONAL LUMEN SUMMARY			
ZONE	LUMENS	%LAMP	%FIXT
0- 30	2761	23.8	25.6
0- 60	7453	64.2	69.2
0- 90	9639	83.1	89.5
90-180	1130	9.7	10.5
0-180	10769	92.8	100

**Total Fixture Efficiency: 92.8%**



**Harris Lighting**  
Innovative Efficient Solutions