

VAPORTIGHT RETROFIT

MKVT

Application

Retrofit Vaportight fixture from 2 T12 lamp to energy efficient long lasting 1, 2, 3, or 4 T8 lamps.

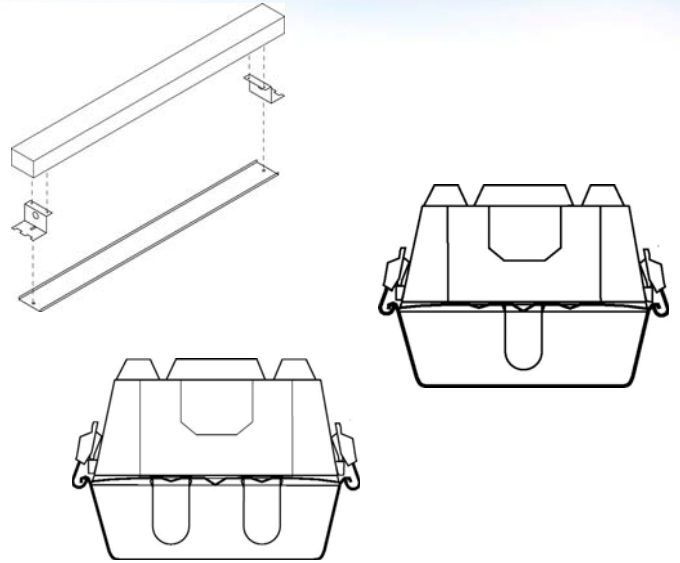
Construction

Kits Contain: Ballast cover, Adjustable height socket brackets, TEK screws and Quarter Turns fasteners. Optional ballast and lamps.

Construction: Ballast cover and socket brackets are manufactured from code gauge cold rolled steel and have white baked enamel finishes. Screwed assembly, with toolless ballast and wiring access.

Electrical

UL listed wire rated for required temperature and voltage. Lamps are secured with twist-locking sockets.



Warranty

One year standard warranty on fixture. Ballast carries 3-5 year manufacture warranty.

Options

Lamps, Ballast, and Reflector. (See available options)

Features

- “Z” bracket for easy installation.
- Retrofit improves fixture efficiency; allows for de lamping
- Available in 1, 2, 3 or 4 T8 Lamp configuration
- Optional supplied lamps are available in various CRI ratings, temperature colors and rated life Ballast and wiring access
- Ballast and wiring access using existing security type screws.
- Instant Restrike
- Dimming/Occupancy sensor compatible

Ordering Information

Use the Flow chart below to configure the part number. Actual part number may vary due to configuration.

MKVT	Type VT VAPORTIGHT RETROFIT KIT
	Fixture Size (Strip inside VT Fixture) 44: 4' long x 4.25" wide 84: 8' long x 4.25" wide
	Number of Lamps Req'd 14: 1-4' 24: 2-4' 34: 3-4' (8' Fixt) 44: 4-4' (8' Fixt)
	Ballast T8H - T8 "H" (120-277v) T8N - T8 "N" (120-277v) T8L - T8 "L" (120-277v)
	Optional Reflector Material U - Ultimate aluminum 95% TR
	Optional Sensor <input type="checkbox"/> - All Lamps <input type="checkbox"/> - Portion of Lamps
Options See Options Sheet <input type="checkbox"/> - Lamps <input type="checkbox"/> - Ballast <input type="checkbox"/> - Reflector <input type="checkbox"/> - Sensor	